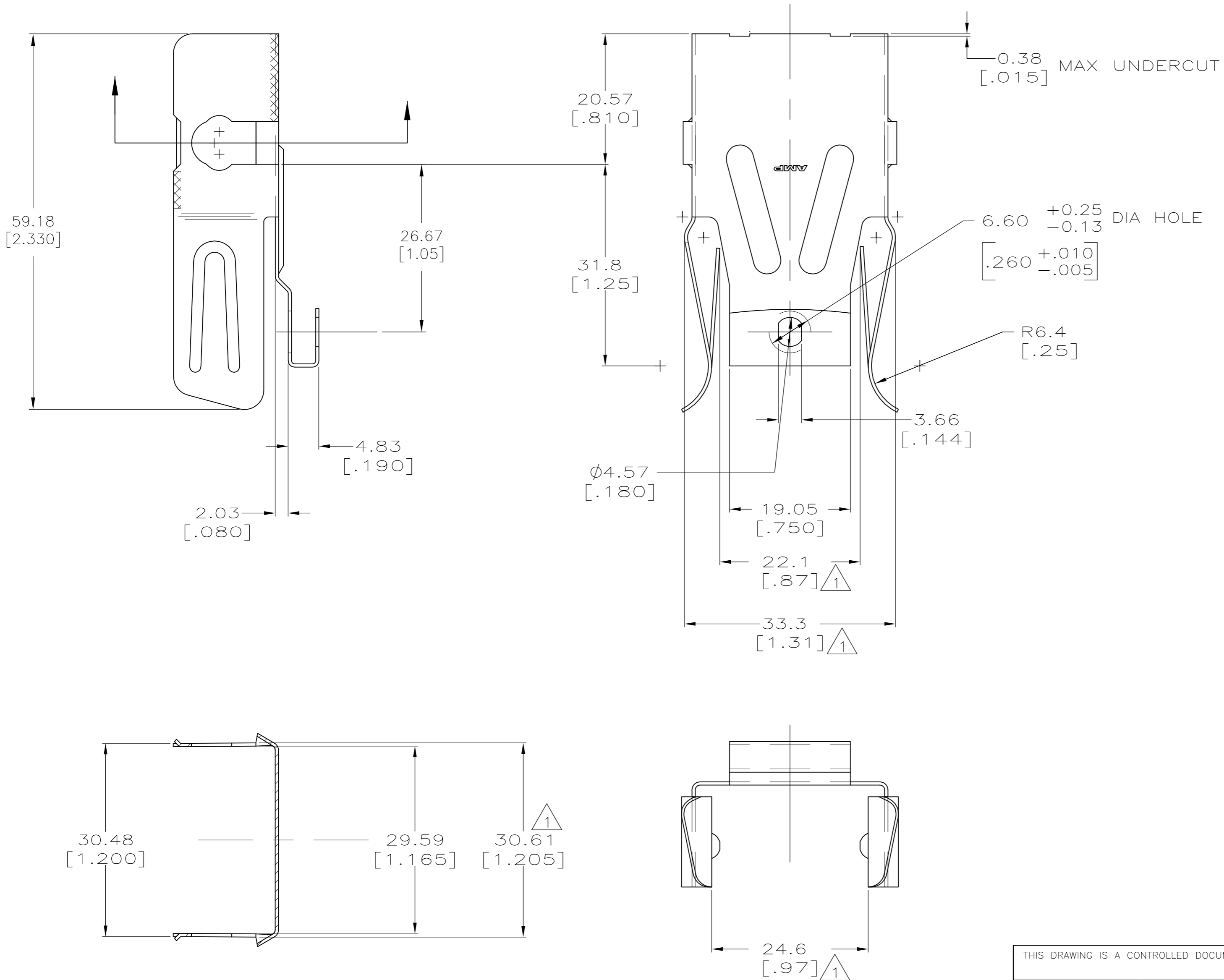


THIS DRAWING IS UNPUBLISHED. RELEASED FOR PUBLICATION
 © COPYRIGHT BY TYCO ELECTRONICS CORPORATION. ALL RIGHTS RESERVED.

LOC	DIST	REVISIONS			
P	LTR	DESCRIPTION	DATE	DWN	APVD
AF	50	F1	REVISED PER ECR-08-006534	04APR08	HMR GJ

△ 1 DIMENSION TO BE CHECKED WHEN SIDES ARE PARRALLEL WITH [1.215] DIM.



1217841-1
PART NO.

THIS DRAWING IS A CONTROLLED DOCUMENT.		DWN MICHAEL S. FEHER 06JUN2002	Tyco Electronics Corporation Harrisburg, PA 17105-3608	
DIMENSIONS: mm		CHK DONALD DECKER 06JUN2002	NAME CLIP, CONNECTOR, HEAVY DUTY BURNER	
TOLERANCES UNLESS OTHERWISE SPECIFIED:		APVD DONALD DECKER 06JUN2002	PRODUCT SPEC	
0 PLC ± -		APPLICATION SPEC		
1 PLC ± -		114-1028		
2 PLC ± 0.8 [.03]		WEIGHT -		
3 PLC ± 0.25 [.010]		SIZE A2 CAGE CODE 00779 C=1217841		
4 PLC ± -		DRAWING NO		
ANGLES ± -		RESTRICTED TO -		
FINISH -		SCALE 2:1 SHEET 1 OF 1 REV F1		
MATERIAL 1/4 HARD STAINLESS		CUSTOMER DRAWING		